

RECEPTACLE

(SHOWN WITH PREBENT MOUNTING EARS, LOCK RAMPS)

DIMENSIONS SHOWN METRIC () INCH		UNLESS OTHERWISE SPECIFIED TOLERANCES: ANGULAR ± 1/2°		REVISIONS		REVISE ONLY ON CAD SYSTEM	
	INCH		METRIC				
3 PLACE	± .010		---	S	SEE SHT. 1		
2 PLACE	± .014		± 0.25	RI	SEE SHT. 1		
1 PLACE	---		± 0.35	R	SEE SHT. 1		
DRAFT WHERE APPLICABLE MUST REMAIN WITHIN DIMENSIONS				LTR.	REVISIONS	LTR.	REVISIONS
DRWG. BY	CEP	CHKD. BY	RW				
APP'D. BY	RAS	SCALE	2 : 1				

TITLE: **.093/(2.36) HOUSING, PLUG AND RECEPTACLE, 9 CKT. ± .198/(5.03) CTRS.**

PART NO.: **MOLEX INCORPORATED** L15LEJLL 60532 U.S.A.

SHEET NO.: **3** DATE: **2/18/89**

SEE CHART

DRWG. NO.: **SD-1292-**

FILE NAME: **S1292X3.DWG**

DIV.: **CP** SIZE: **C**

PLUG	
PART NO.	ENG. NO.
03-09-2091	I292-P
03-09-2092	I292-PI
03-09-7091	I292-PBK
03-09-7092	I292-PIBK
NOT TOOLED	I292-P2
27-09-2092	I292-PI-A

RECEPTACLE	
PART NO.	ENG. NO.
03-09-1091	I292-R
03-09-1092	I292-R1
03-09-6091	I292-RBK
03-09-6092	I292-RIBK
03-09-1093	I292-R2
03-09-6093	I292-R2BK
03-09-1094	I292-R3
03-09-6094	I292-R3BK
27-09-1093	I292-R2-A

LEGEND: PLUG

I292-P***-*

P = PLUG

BLANK = OPT. PLUG WITH PREBENT EARS

1 = STD. PLUG WITHOUT PREBENT EARS

2 = STD. PLUG WITH PREBENT EARS & RIBS

COLOR: BLANK=NATURAL COLOR

AM=AMBER BK=BLACK BU=BLUE

BN=BROWN GY=GRAY GN=GREEN

OR=ORANGE RD=RED YW=YELLOW

MATERIAL: BLANK = NYLON 6/6, U.L. 94V-2

A = NYLON 6/6, U.L. 94V-0

LEGEND: RECEPTACLE

I292-R***-*

R = RECEPTACLE

BLANK = WITH PREBENT EARS, WITH LOCK RAMP

1 = WITH PREBENT EARS, WITHOUT LOCK RAMP

2 = WITHOUT EARS, WITHOUT LOCK RAMP

3 = WITHOUT EARS, WITH LOCK RAMP

COLOR: BLANK=NATURAL COLOR

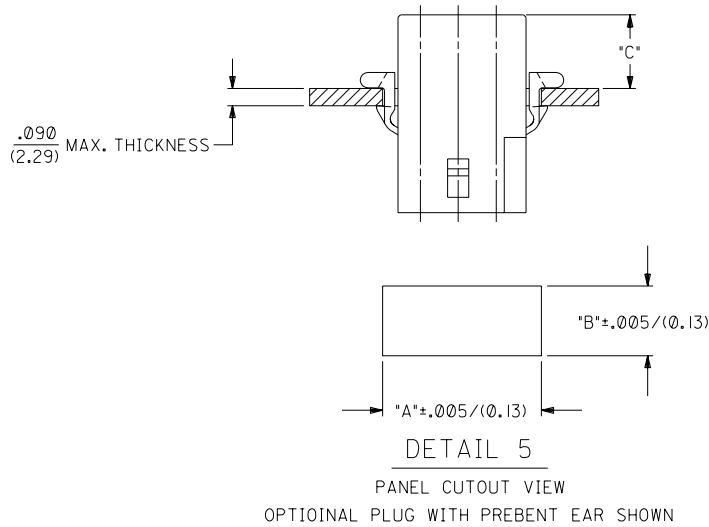
AM=AMBER BK=BLACK BU=BLUE

BN=BROWN GY=GRAY GN=GREEN

OR=ORANGE RD=RED YW=YELLOW

MATERIAL: BLANK = NYLON 6/6, U.L. 94V-2

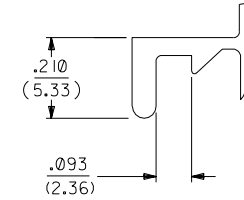
A = NYLON 6/6, U.L. 94V-0



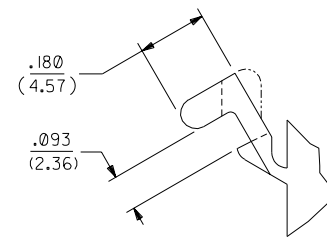
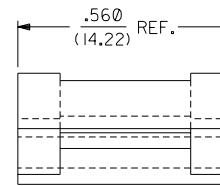
HOUSING	DIM. "A"	DIM. "B"	DIM. "C" (STD. EAR)	DIM. "C" (PREBENT)
STD. PLUG	.930/(23.62)	.760/(19.30)	N/A	.39/(9.9)
OPT. PLUG	.937/(23.80)	.660/(16.76)	.13/(3.3)	N/A
RECEPTACLE	.828/(21.03)	.725/(18.42)	.37/(9.4)	.41/(10.4)

NOTES:

- 1 THESE PARTS COMPLY WITH MOLEX PRODUCT SPEC. 02-09.
- 2 HOUSINGS FOR USE WITH MOLEX .093/(2.36) PIN AND SOCKET TERMINALS.
- 3 RIBS ARE PRESENT ONLY ON STANDARD PLUG WITH PREBENT MOUNTING EARS. FOR PLUG HOUSINGS REQUIRING MOUNTING EARS, ONLY PREBENT STYLE IS AVAILABLE.



DETAIL 3
.093/(2.36) STANDARD MOUNTING EAR
(SCALE 4:1)



DETAIL 4
.093/(2.36) PREBENT MOUNTING EAR
(SCALE 4:1)

DIMENSIONS SHOWN (METRIC) INCH UNLESS OTHERWISE SPECIFIED TOLERANCES: ANGULAR $\pm .002$		REVISE ONLY ON CAD SYSTEM	
3 PLACE $\pm .010$ ---		TITLE .093/(2.36) HOUSING, PLUG AND RECEPTACLE, 9 CKT. $\pm .198/(5.03)$ CTRS.	
2 PLACE $\pm .014 \pm 0.25$		MOLEX INCORPORATED SHEET NO. DATE U.S.A. 4 2/18/89	
1 PLACE --- ± 0.35		PART NO. DRWG. NO. SEE CHART SD-1292-*	
DRAFT WHERE APPLICABLE MUST REMAIN WITHIN DIMENSIONS		FILE NAME DIV. SIZE 51292X4 068 MOLEX INC. AND SHOULD NOT BE USED WITHOUT WRITTEN PERMISSION CP C	
DRWG. BY: GEP	CHK'D. BY: RW		
APP'D. BY: RAS	SCALE: 2:1		

LTR.	REVISIONS	LTR.	REVISIONS
	T	SEE SHT. 1	
	S2	SEE SHT. 1	
	S1	SEE SHT. 1	
	S	SEE SHT. 1	
	R	SEE SHT. 1	